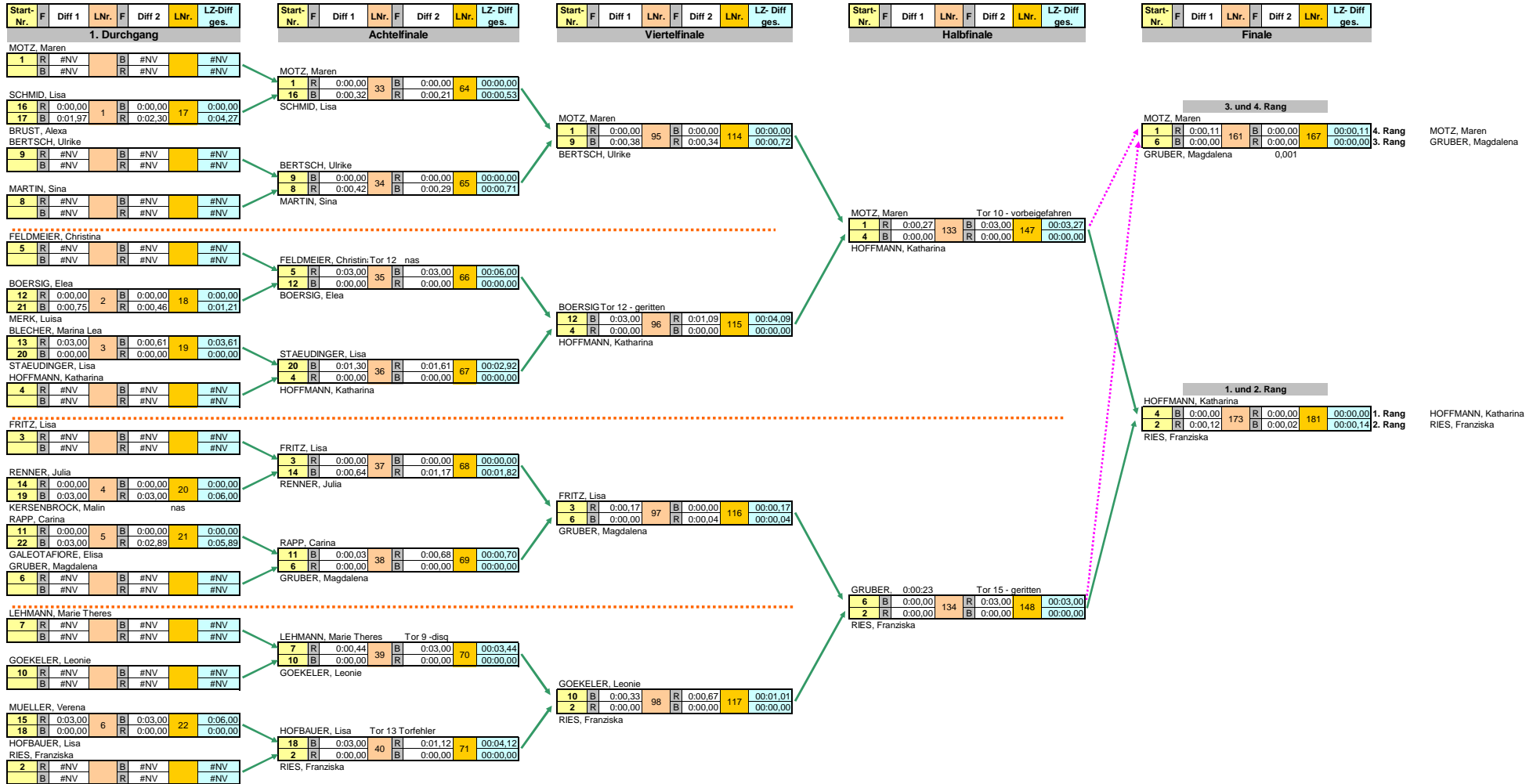
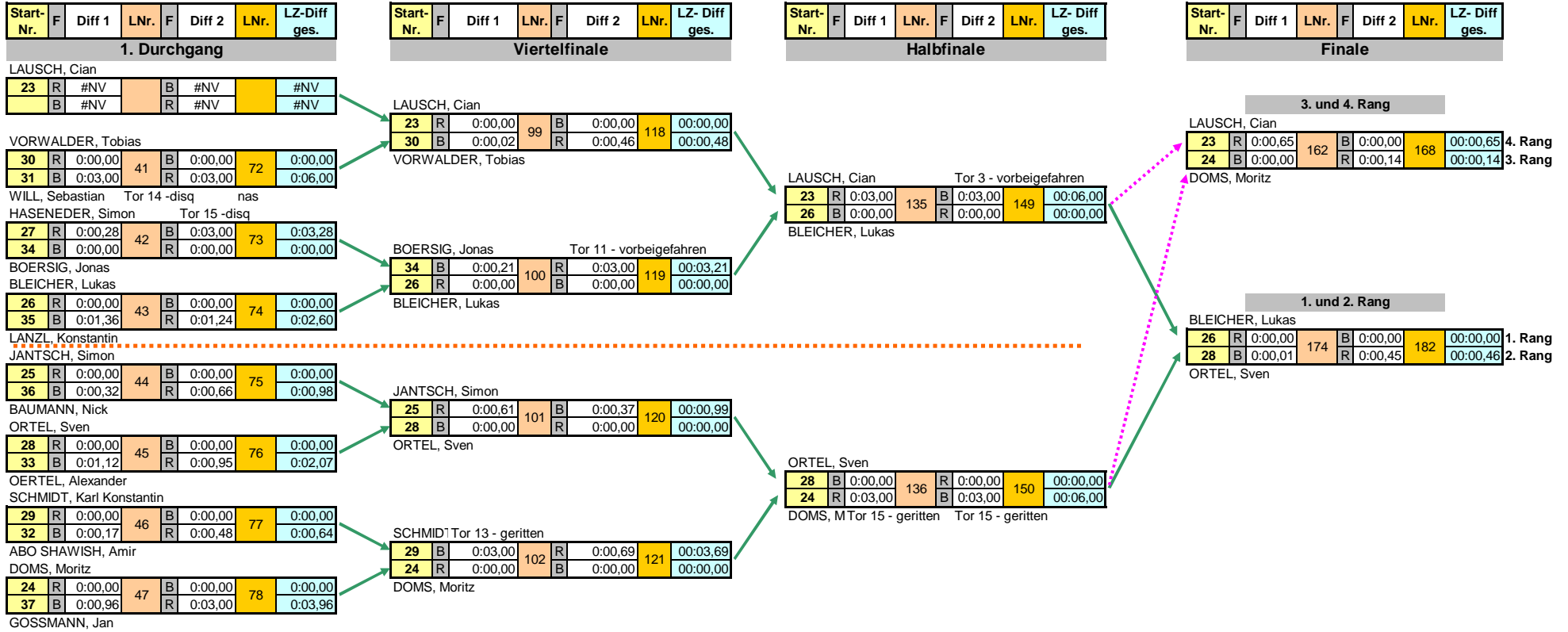


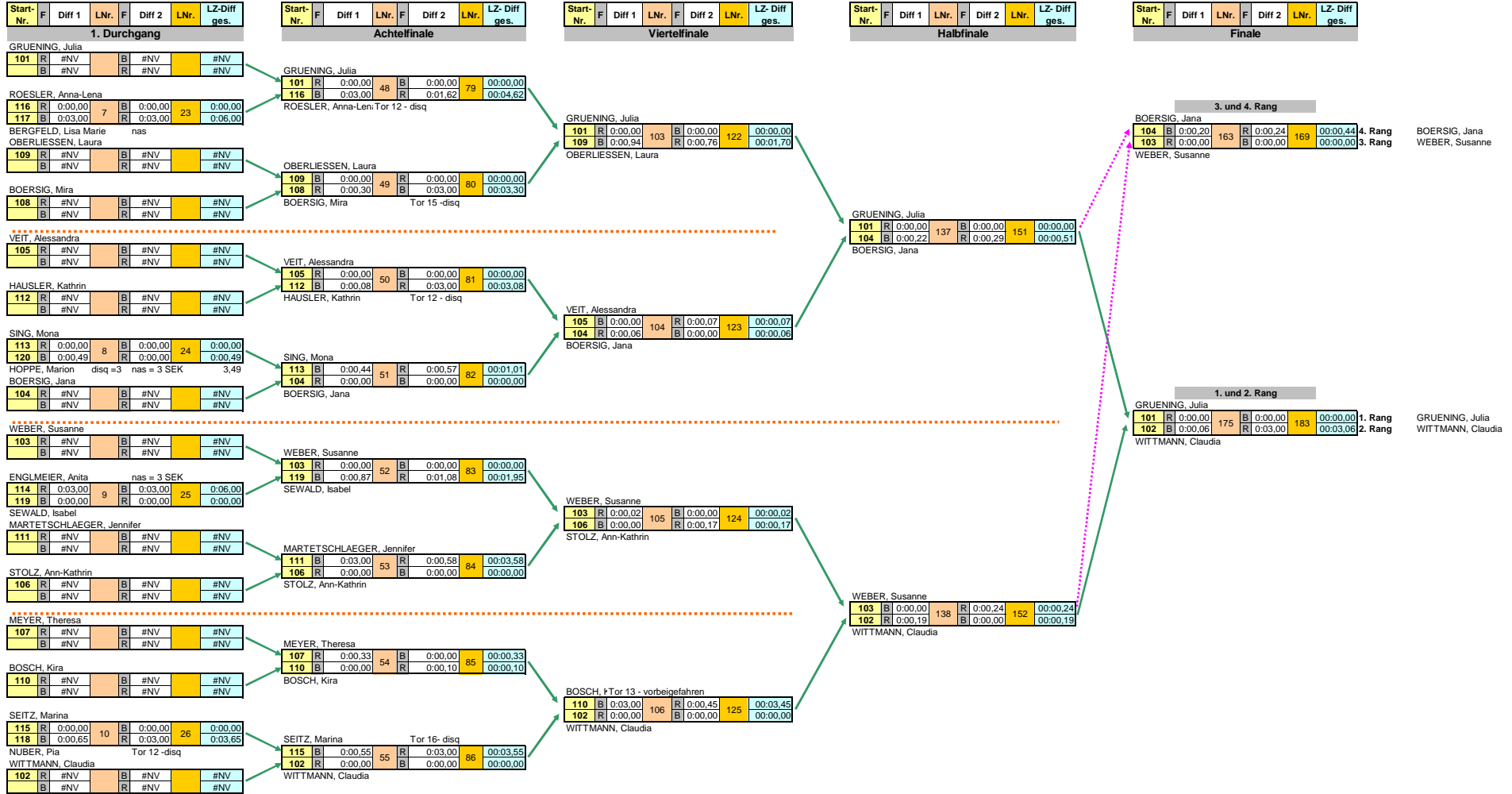
DM PSL 2011 Nagold.xls



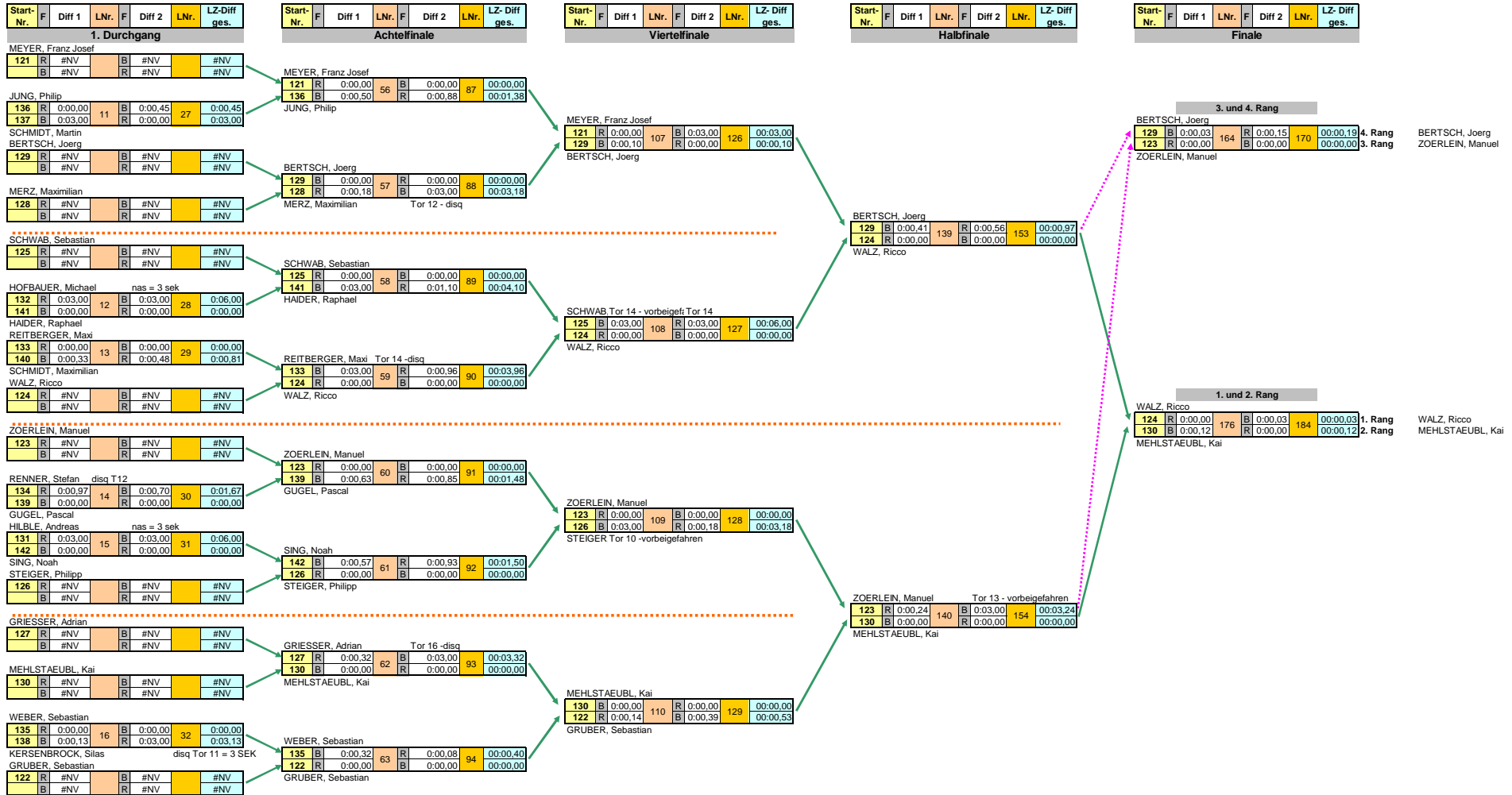
### DM PSL 2011 Nagold.xls



DM PSL 2011 Nagold.xls



DM PSL 2011 Nagold.xls



| Start-Nr.           | F | Diff 1 | LNr. | F | Diff 2 | LNr. | LZ-Diff ges. |
|---------------------|---|--------|------|---|--------|------|--------------|
| <b>1. Durchgang</b> |   |        |      |   |        |      |              |

| Start-Nr.     | F | Diff 1 | LNr. | F | Diff 2 | LNr. | LZ-Diff ges. |
|---------------|---|--------|------|---|--------|------|--------------|
| <b>Finale</b> |   |        |      |   |        |      |              |

**3. und 4. Rang**

|  |   |     |  |   |     |  |     |     |
|--|---|-----|--|---|-----|--|-----|-----|
|  | B | #NV |  | R | #NV |  | #NV | #NV |
|  | B | #NV |  | R | #NV |  | #NV | #NV |

#NV  
#NV

WERTSCHULTE, Meike

|     |   |     |  |   |     |  |     |
|-----|---|-----|--|---|-----|--|-----|
| 150 | R | #NV |  | B | #NV |  | #NV |
|     | B | #NV |  | R | #NV |  | #NV |

**1. und 2. Rang**

| WERTSCHULTE, Meike |   |         |     |   |         |     |         |         |
|--------------------|---|---------|-----|---|---------|-----|---------|---------|
| 150                | R | 0:00,00 | 177 | B | 0:00,00 | 185 | 0:00,00 | 1. Rang |
|                    | B | 0:03,00 |     | R | 0:03,00 |     | 0:06,00 | 2. Rang |

KOEPPEL nas

|     |   |         |     |   |         |     |         |
|-----|---|---------|-----|---|---------|-----|---------|
| 151 | R | 0:00,00 | 141 | B | 0:00,00 | 155 | 0:00,00 |
| 152 | B | 0:00,00 |     | R | 0:00,00 |     | 0:00,00 |

VOGT, Si nas

nas

nas

DM PSL 2011 Nagold.xls

| Start-Nr.           | F | Diff 1 | LNr. | F | Diff 2 | LNr. | LZ-Diff ges. |
|---------------------|---|--------|------|---|--------|------|--------------|
| <b>1. Durchgang</b> |   |        |      |   |        |      |              |

| Start-Nr.         | F | Diff 1 | LNr. | F | Diff 2 | LNr. | LZ-Diff ges. |
|-------------------|---|--------|------|---|--------|------|--------------|
| <b>Halbfinale</b> |   |        |      |   |        |      |              |

| Start-Nr.     | F | Diff 1 | LNr. | F | Diff 2 | LNr. | LZ-Diff ges. |
|---------------|---|--------|------|---|--------|------|--------------|
| <b>Finale</b> |   |        |      |   |        |      |              |

ZISTLER, Sigi

|     |   |     |  |   |     |  |     |
|-----|---|-----|--|---|-----|--|-----|
| 153 | R | #NV |  | B | #NV |  | #NV |
|     | B | #NV |  | R | #NV |  | #NV |

RUMPF, Johann

|     |   |         |     |   |         |     |         |
|-----|---|---------|-----|---|---------|-----|---------|
| 156 | R | 0:00,00 | 111 | B | 0:00,00 | 130 | 0:00,00 |
| 157 | B | 0:00,19 |     | R | 0:00,02 |     | 0:00,21 |

LAUSCH, Guido

STEUDLE, Juergen

|     |   |         |     |   |         |     |         |
|-----|---|---------|-----|---|---------|-----|---------|
| 155 | R | 0:00,00 | 112 | B | 0:00,00 | 131 | 0:00,00 |
| 158 | B | 0:03,00 |     | R | 0:00,62 |     | 0:03,62 |

MEYER, F Tor 5 - vorbeigefahren

ZOUDLIK, Carsten

|     |   |         |     |   |         |     |         |
|-----|---|---------|-----|---|---------|-----|---------|
| 154 | R | 0:00,00 | 113 | B | 0:00,00 | 132 | 0:00,00 |
| 159 | B | 0:00,13 |     | R | 0:00,24 |     | 0:00,37 |

LANZL, Werner

ZISTLER, Sigi

|     |   |         |     |   |         |     |          |
|-----|---|---------|-----|---|---------|-----|----------|
| 153 | R | 0:00,00 | 142 | B | 0:00,00 | 156 | 00:00,00 |
| 156 | B | 0:00,31 |     | R | 0:00,11 |     | 00:00,43 |

RUMPF, Johann

STEUDLE, Juergen

|     |   |         |     |   |         |     |          |
|-----|---|---------|-----|---|---------|-----|----------|
| 155 | B | 0:00,00 | 143 | R | 0:00,00 | 157 | 00:00,00 |
| 154 | R | 0:00,65 |     | B | 0:00,25 |     | 00:00,90 |

ZOUDLIK, Carsten

**3. und 4. Rang**

|     |   |         |     |   |         |     |          |         |
|-----|---|---------|-----|---|---------|-----|----------|---------|
| 156 | B | 0:00,00 | 165 | R | 0:00,00 | 171 | 00:00,00 | 3. Rang |
| 154 | R | 0:00,51 |     | B | 0:00,40 |     | 00:00,91 | 4. Rang |

ZOUDLIK, Carsten

**1. und 2. Rang**

|     |   |         |     |   |         |     |          |         |
|-----|---|---------|-----|---|---------|-----|----------|---------|
| 153 | R | 0:00,02 | 178 | B | 0:00,00 | 186 | 00:00,02 | 1. Rang |
| 155 | B | 0:00,00 |     | R | 0:00,02 |     | 00:00,02 | 2. Rang |

ZISTLER, Sigi

STEUDLE, Juergen

Gesamtdifferenz: 0,001

| Start-Nr.           | F | Diff 1 | LNr. | F | Diff 2 | LNr. | LZ-Diff ges. |
|---------------------|---|--------|------|---|--------|------|--------------|
| <b>1. Durchgang</b> |   |        |      |   |        |      |              |

| Start-Nr.     | F | Diff 1 | LNr. | F | Diff 2 | LNr. | LZ-Diff ges. |
|---------------|---|--------|------|---|--------|------|--------------|
| <b>Finale</b> |   |        |      |   |        |      |              |

**3. und 4. Rang**

|  |   |     |  |   |     |  |     |     |
|--|---|-----|--|---|-----|--|-----|-----|
|  | B | #NV |  | R | #NV |  | #NV | #NV |
|  | B | #NV |  | R | #NV |  | #NV | #NV |

#NV  
#NV

WANZKE, Ann Krystina

|     |   |     |  |   |     |  |     |
|-----|---|-----|--|---|-----|--|-----|
| 143 | R | #NV |  | B | #NV |  | #NV |
|     | B | #NV |  | R | #NV |  | #NV |

**1. und 2. Rang**

|                      |   |         |     |   |         |     |         |         |
|----------------------|---|---------|-----|---|---------|-----|---------|---------|
| WANZKE, Ann Krystina |   |         |     |   |         |     |         |         |
| 143                  | R | 0:00,25 | 179 | B | 0:00,00 | 187 | 0:00,25 | 2. Rang |
| 144                  | B | 0:00,00 |     | R | 0:00,21 |     | 0:00,21 | 1. Rang |
| SCHMOHL, Manuela     |   |         |     |   |         |     |         |         |

SCHMOHL, Manuela

|     |   |         |     |   |         |     |         |
|-----|---|---------|-----|---|---------|-----|---------|
| 144 | R | 0:00,00 | 144 | B | 0:00,00 | 158 | 0:00,00 |
| 145 | B | 0:03,00 |     | R | 0:03,00 |     | 0:06,00 |

WOLBER nas nas

| Start-Nr.           | F | Diff 1 | LNr. | F | Diff 2 | LNr. | LZ-Diff ges. |
|---------------------|---|--------|------|---|--------|------|--------------|
| <b>1. Durchgang</b> |   |        |      |   |        |      |              |

| Start-Nr.     | F | Diff 1 | LNr. | F | Diff 2 | LNr. | LZ-Diff ges. |
|---------------|---|--------|------|---|--------|------|--------------|
| <b>Finale</b> |   |        |      |   |        |      |              |

BACHER, Tobias

|     |   |         |     |   |         |     |         |
|-----|---|---------|-----|---|---------|-----|---------|
| 146 | R | 0:00,00 | 145 | B | 0:00,00 | 159 | 0:00,00 |
| 149 | B | 0:01,30 |     | R | 0:01,11 |     | 0:02,40 |

SCHROEER, Maximilian

WALZ, Marco

|     |   |         |     |   |         |     |         |
|-----|---|---------|-----|---|---------|-----|---------|
| 147 | R | 0:00,00 | 146 | B | 0:00,00 | 160 | 0:00,00 |
| 148 | B | 0:01,69 |     | R | 0:01,97 |     | 0:03,67 |

HUSNIK, Martin

**3. und 4. Rang**

SCHROEER, Maximilian

|     |   |         |     |   |         |     |         |         |
|-----|---|---------|-----|---|---------|-----|---------|---------|
| 149 | B | 0:00,00 | 166 | R | 0:00,45 | 172 | 0:00,45 | 4. Rang |
| 148 | R | 0:00,18 |     | B | 0:00,00 |     | 0:00,18 | 3. Rang |

HUSNIK, Martin

**1. und 2. Rang**

BACHER, Tobias

|     |   |         |     |   |         |     |         |         |
|-----|---|---------|-----|---|---------|-----|---------|---------|
| 146 | R | 0:01,21 | 180 | B | 0:00,40 | 188 | 0:01,62 | 2. Rang |
| 147 | B | 0:00,00 |     | R | 0:00,00 |     | 0:00,00 | 1. Rang |

WALZ, Marco